



FIELD SERVICE NEWS

FUJI HEAVY INDUSTRIES LTD.

HEAD OFFICE

: SUBARU BLDG.

SHINJUKU, TOKYO, JAPAN

NO. FAN-032

DATE February 16, 1976

FA-200 ADDITION OF PLATE FOR BATTERY INSTALLATION



There have been instances reported whereby the plastic case of the battery P/N 200-383602-001, used on FA-200 airplane, has been cracked due to over-tightening of the clamp. If the battery is installed properly by adjusting length of the rods, battery installation is designed to sufficiently withstand cracks or other damages. To accomplish proper installation, it is necessary to adjust the rod length properly to fit the battery case. Your battery will be free from requirement of precise rod length adjustment if a plate is installed as shown in the attached figure.

It is therefore recommended that a plate be locally fabricated to dimension shown and added between the plastic case and clamps as illustrated in the figure 2.

FAN-032

PAGE 1 OF 2

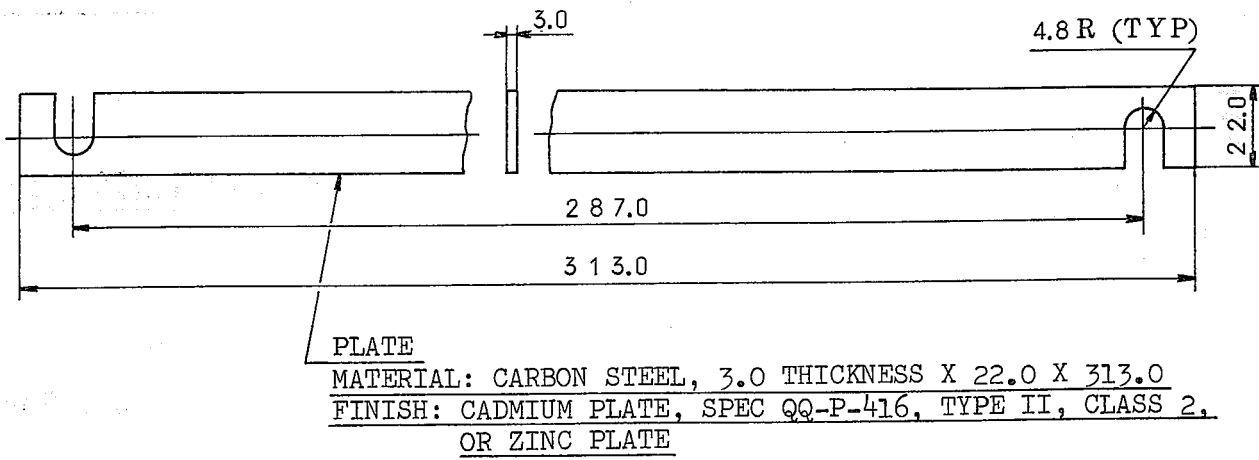


FIGURE 1. PLATE (LOCALLY FABRICATED)

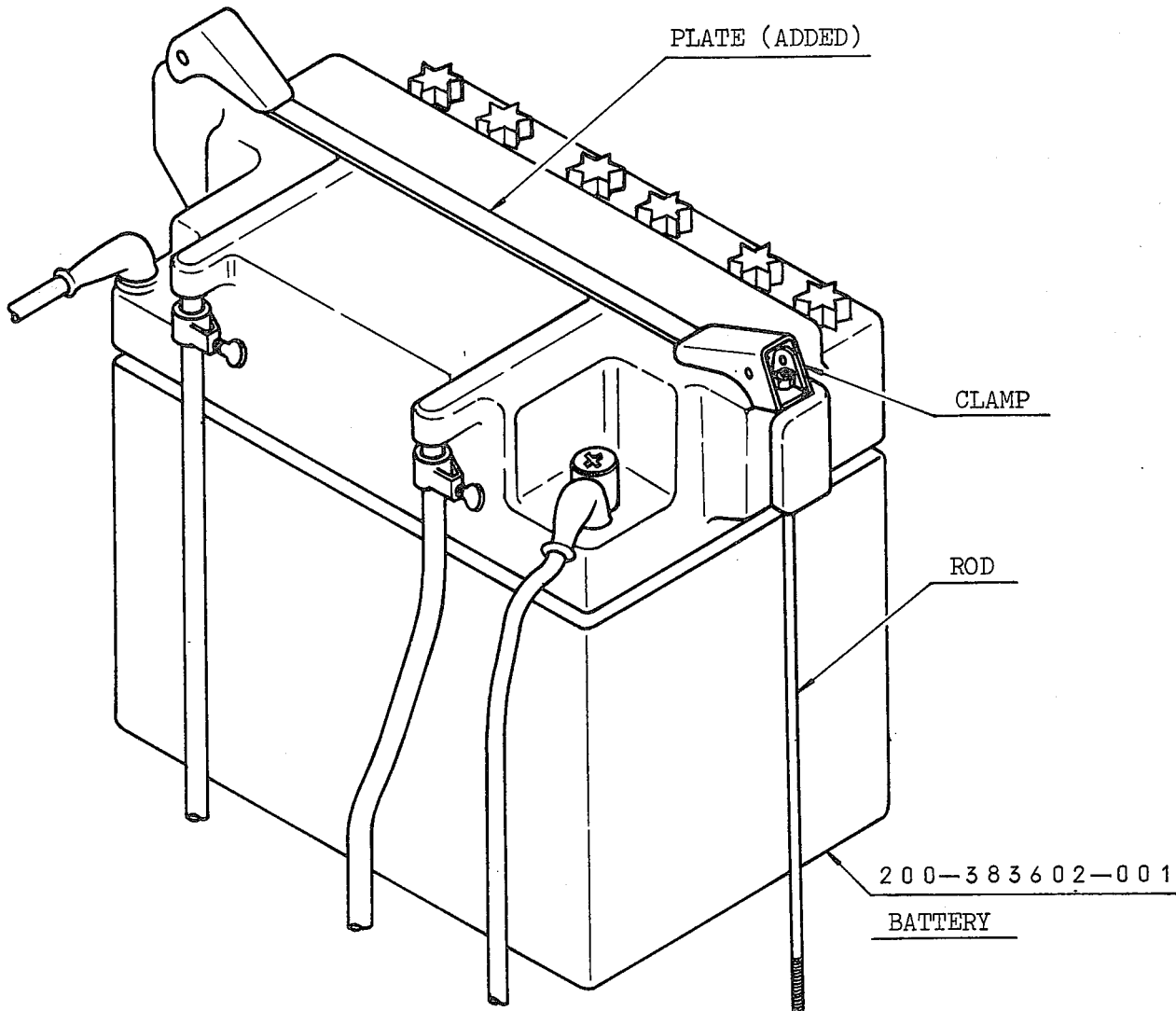


FIGURE 2. ADDITIONAL INSTALLATION OF PLATE