

S E R V I C E B U L L E T I N

Fuji Heavy Industries Ltd.

NO. FAS-036

DATE July 6, 1970

1. SUBJECT : MODIFICATION OF FRONT LANDING GEAR.

2. AIRCRAFT AFFECTED : FA-200 Serial Nos 1 thru 101.

3. PRIORITY : Essential.

4. REASON : In order to improve safety of front landing gear.

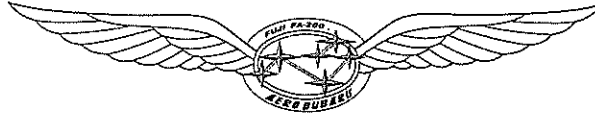
5. DESCRIPTION : A hole to be installed in the thermal fitting portion of piston and fork of the subject assy.
 However, this should be accomplished after confirming no trouble has been found in the one time inspection of Service Bulletin NO. FAS-035.

6. ACCOMPLISHMENT : Time to incorporate this directive is optional.

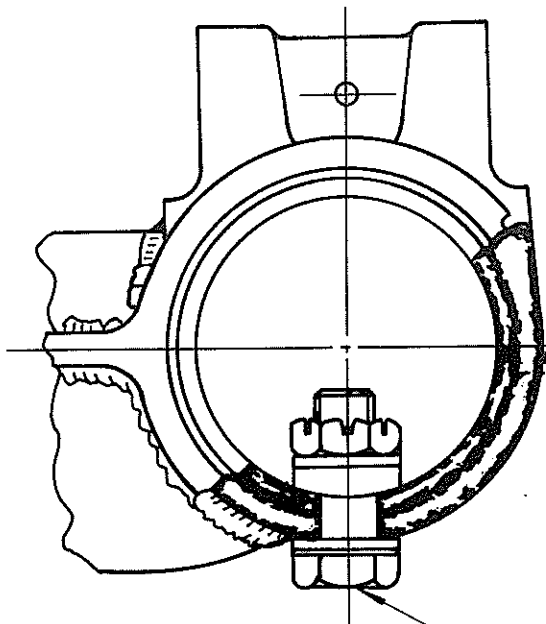
7. APPROVAL : JCAB Approval NO-TOKYO-2, June 27, 1970.

8. PARTS REQUIRED : The following parts shall be furnished without charge.

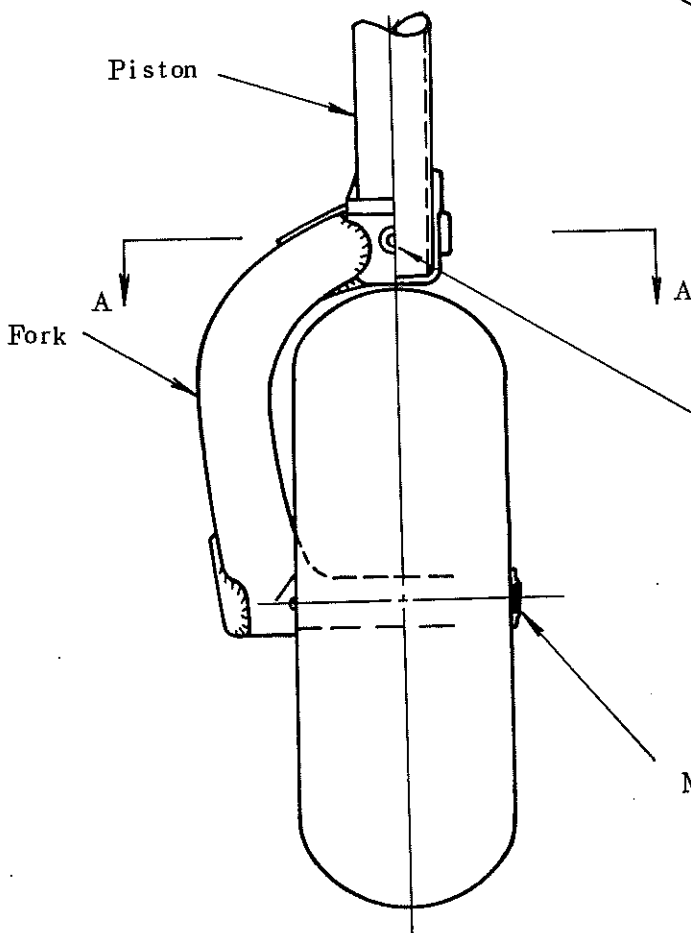
PART NO.	NOMENCLATURE	QTY/ACT
AN4-6	Bolt	1
AN960-416	Washer	2
AN320-4	Nut	1
MS24665-153	Cotter Pin	1
MS24665-359	Cotter Pin	1
200-822114-3	Special Washer	1



9. SPECIAL TOOLS : None required.
10. WEIGHT AND BALANCE: The weight and balance change resulting from this modification is negligible.
11. REFERENCE : None.
12. MAN-HOURS : 1.0 man-hour.
13. DETAILED INSTRUCTION: (Figure 1.)
- 1) Jack up front landing gear, and remove tire.
Using $1/4^{\phi}$ drill, enlarge the fairing thread hole to $.250/.254^{\phi}$.
 - 2) Apply wet zinc chromate primer to the hole after removing burrs.
 - 3) Insert hole, AN4-6, with washer, AN960-416.
 - 4) Install special washer, 200-822114 -3, as shown in Figure 1. with its radius mated to radius of piston inside, and also install washer, AN960-416.
Torque nut, AN320-4, and secure with cotter pin, MS24665-153.
 - 5) Install tire and remove jack.
Use new cotter pin, MS24665-359.



Section A-A Showing Rework
(Fairing Thread Hole)



- AN4-6 Bolt
- AN960-416 Washer
- 200-822114-3 Special Washer
- AN320-4 Nut
- MS24665-153 Cotter Pin
- MS24665-359 Cotter Pin

Fairing Thread Hole must be
(#10-32)
enlarged to $.250 \pm .0254 \phi$

MS24665-359 Cotter Pin

Figure 1. Front Landing Gear Assy
(View Looking Aft)