



SERVICE BULLETIN

FUJI HEAVY INDUSTRIES LTD.

HEAD OFFICE

: SUBARU BLDG,

SHINJUKU, TOKYO, JAPAN

NO : FAS-043

DATE : February 15, 1971

1. SUBJECT : Improvement of cabin ventilating system.
2. AIRCRAFT AFFECTED : All FA-200 Series Serial Nos. 1 thru 101.
3. PRIORITY : Desirable.
4. REASON : In order to take cool air into canopy by installing air scoop and four air outlet at upper surface of canopy door.
5. DESCRIPTION : Air-outlet at upper surface of canopy door.
6. ACCOMPLISHMENT : Optional.
7. APPROVAL : JCAB Approved.
8. PARTS REQUIRED : The following parts are required to perform the rework:

PART NO.	PART NAME	QTY
Cemedine #540, #508, #575	ADHESIVE	AR
2215	AIR VALVE ASSY	1 4 ✓
200-550076-003	HOSE BAND 32	4 ✓
200-550071-011	DUCT	2 ✓
200-534323-001	SCOOP ASSY	2 ✓
200-534322-004	BRACKET ASSY	1 ✓

FAS - 043

PAGE 1 OF 9

8. PARTS REQUIRED : (cont.)

PART NO.	PART NAME	QTY
200-534322-003	BRACKET ASSY	1
200-534321-4	BRANKET ASSY	1
200-534321-3	BRANKET ASSY	1
200-534320-6	GUIDE	1
200-534320-5	GUIDE	1
200-534320-4	GUIDE	1
200-534320-3	GUIDE	1
200-534102-57	BRANKET	2
200-534102-55	BRANKET	1
200-534102-53	BRANKET	1
200-534102-62	WALL ASSY	1
200-534100-61	WALL ASSY	1
200-420211-23	DOOR	2
200-420211-22	DOUBLER	1
200-420211-21	DOUBLER	1
200-420005-64	DOUBLER	1
200-420005-63	DOUBLER	1
200-420005-47	SEAL	1
200-420005-140	STOPPER	1
200-420005-139	STOPPER	1
MS24694-50	SCREW	16
MS24665-132	PIN, COTTER	2
MS20470AD4	RIVET	60
MS20426AD4	RIVET	36

8. PARTS REQUIRED : (cont.)

PART NO.	PART NAME	QTY
F-0486-00138	SEAL RUBBER	4
EC-1239	SEALANT	AR
CR163-4-2	RIVET	4

9. SPECIAL TOOL : None required.

10. WEIGHT AND BALANCE : Negligible.

11. REFERENCE : None.

12. MANHOUR REQUIRED : 40 Manhour required.

13. DETAILED INSTRUCTION :

- a. Remove the canopy door from airframe in accordance with service manual para. 7-4-11.
- b. Remove front rubber seal and stopper.
- c. Remove the cover, 200-534105-003 and -005, with twenty screws and eight rivets.
- d. Remove the left hand and right hand front canopy door cover, 200-534105-007 and -008, with fourteen screws.
- e. Remove left hand and right hand wall assy, 200-534100-029 and -030.
- f. Remove the branket, 200-534102-053, -055 and -057.
- g. Remove the cable assy, 200-420125-015 and -017, in canopy lock system as shown in Fig. 10. in accordance with following procedures.
 - (a) Remove the inside handle (1) with its screw.
 - (b) Remove the inside cover (2) by loosing six screws.
 - (c) Pull out the handle toward upper direction (until halfway) by loos-
ing two screws.

- (d) Move the Link Assy ((3) and (4)) downwards.
- (e) Separate Cable Assy (8) and link (9) by removing the pin (4).
- (f) Cut the safety-wire for the barrel (6) and then separate the pin (7) and cable assy.
- (g) Remove three clamps.
- h. Remove the frame outer skin at back surface of cover as above-mentioned para. 4 after cutting away some rivets except five rivets in center position of top.
- i. Remove the Air-inlet door assy, 200-420211-003, with four rivets which fixed hinge.
- j. Rework the C zone in Fig. 1 with same procedure as shown in Fig. 8.
 - (a) Remove old doubler with some rivets.
 - (b) Install new doubler, 200-420211-021 and -022 to the same place which original doubler installed.
 - (c) Patch the opening with patch plate, 200-420211-023.
 - (d) Cut away door slide bracket, 200-420211-017 and -018, with same manner as shown in Fig. 7.
- k. Cut away outer skin at C zone in Fig. 1. in accordance with the manner as shown in Fig. 3.
- l. Install the guide, 200-534320-003 and -004, and Scoop Assy, 200-534323-001, for c zone in Fig. 1. For these installation refer to Fig. 2. and Fig. 7.
- m. Cut away stiffener in E and F zone in Fig. 1. For the cutting details, refer to Fig. 5. and Fig. 4. Install the doubler, 200-420005-063 and -064 at opening place as shown in Fig. 4. Remove the doubler, 200-420005-031 and -032 with fifteen rivets.
- n. Install the Bracket Assy, 200-534321-003 and -004, and guide, 200-534320-005 and -006 at D zone in Fig. 1. For these installation, refer to Fig. 6.
- o. Install the Bracket Assy, 200-534322-003 and -004, at G zone in Fig. 1. For installation, refer to Fig. 6.

- p. Install the cable assy-lock mechanism-removed in step 7 with bracket in step 14 at reversed order of removal procedure.
- q. Install four air valve assys (2215) to bracket assy as shown in step 14 and step 15 with sixteen screws, MS24694-50.
- r. Install frame outer skin removed in step 8.
- s. Cut away new branket, 200-534102-053, -055 and -057 as shown in Fig. 12 and adhere with adhesive cemedine #540.
- t. Install two ducts, 200-550071-011, to bracket assy in the procedure shown in Fig. 6 with four clamps, 200-550076-003.
- u. Cut away the cover, 200-534105-003 and -005 as shown in Fig. 13 and install the cover the reversed order of removal procedure after attaching four seal rubbers, F-0486-00138.
- v. Install the front left hand and right hand cover, 200-534105-007 and -008 the reversed order of removal procedure.
- w. Install new front seal rubber stopper.
- x. Touch up the reconstructed position as for painting.
- y. Adhere the reconstructed left hand and right hand cover assys, 200-534100-061 and -062 with adhesive cemedine #508.
- z. Install the canopy door to the airframe in accordance with Service Manual para. 7-4-2.

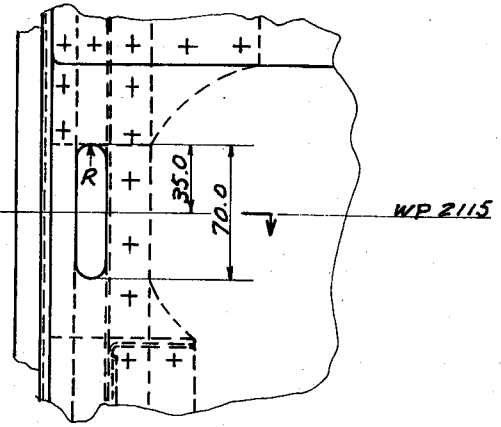
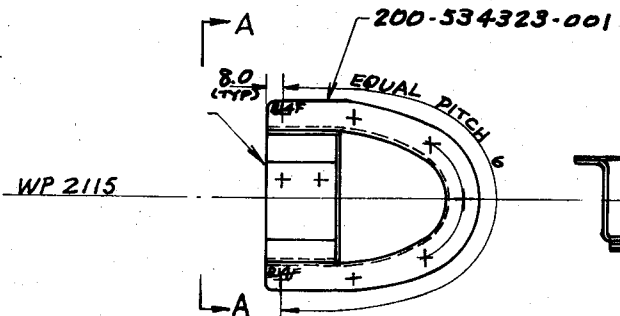
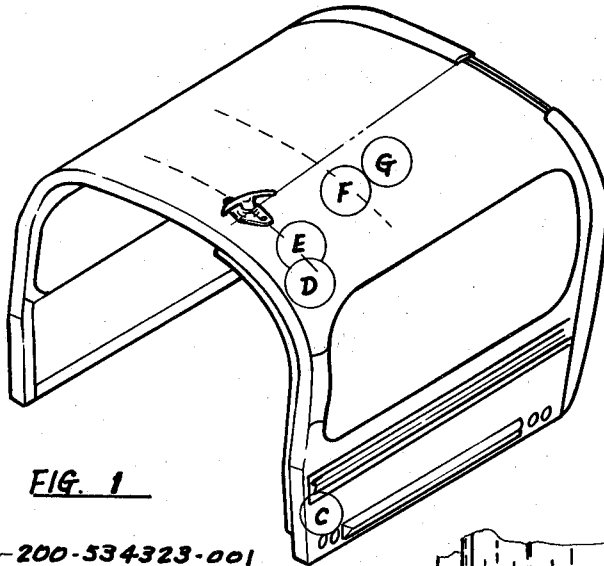
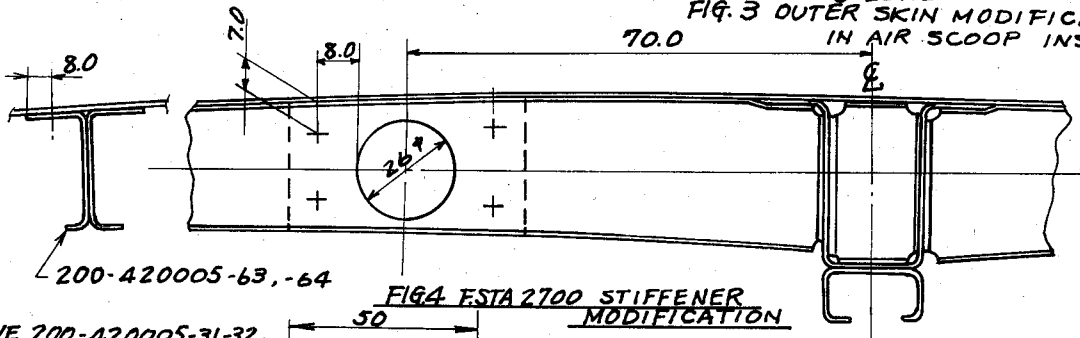
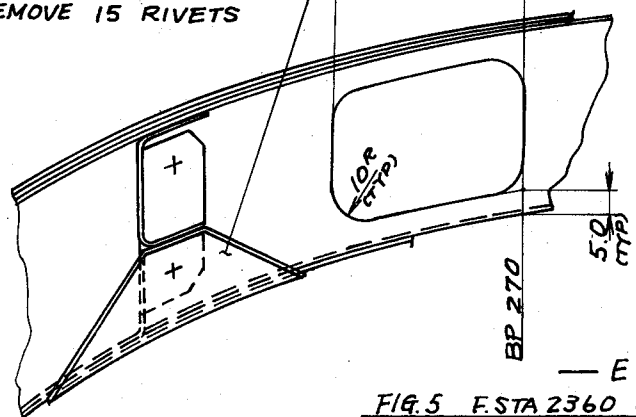


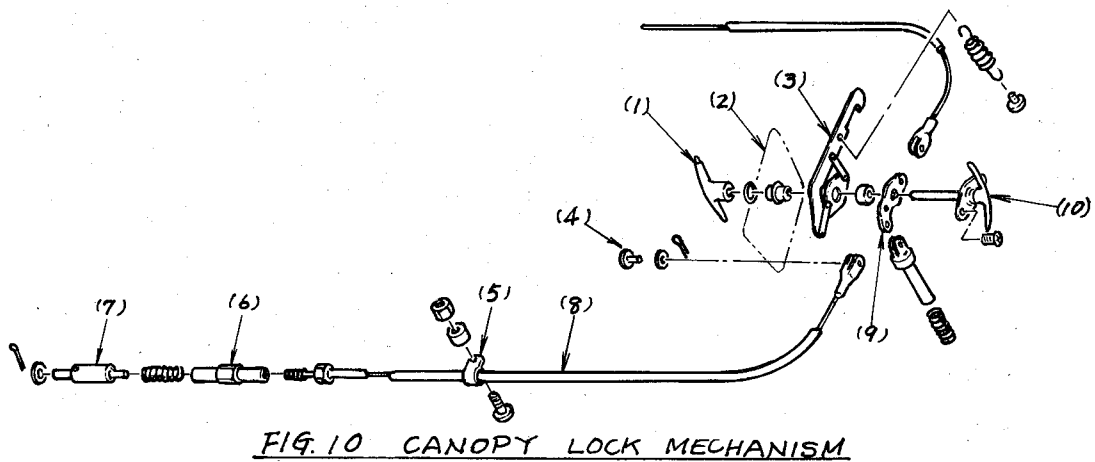
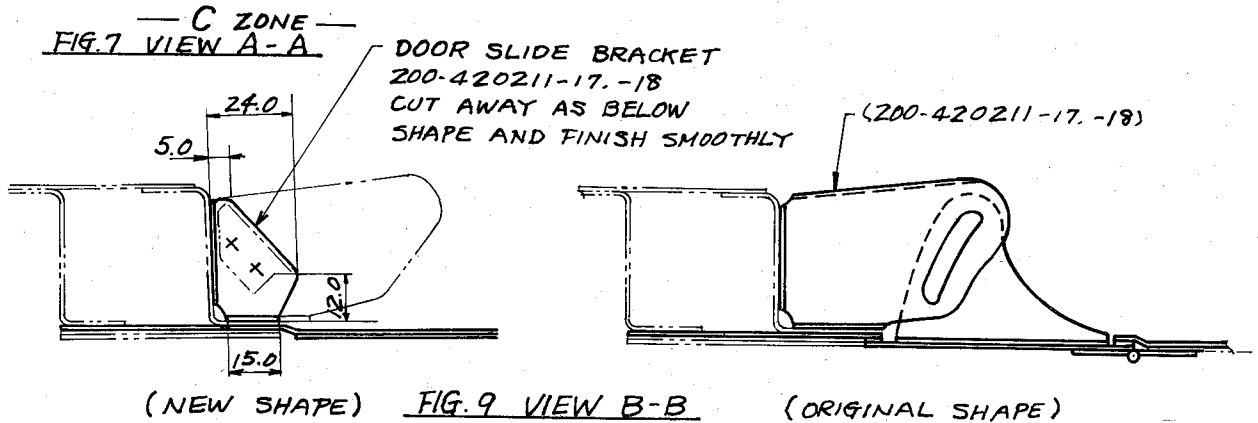
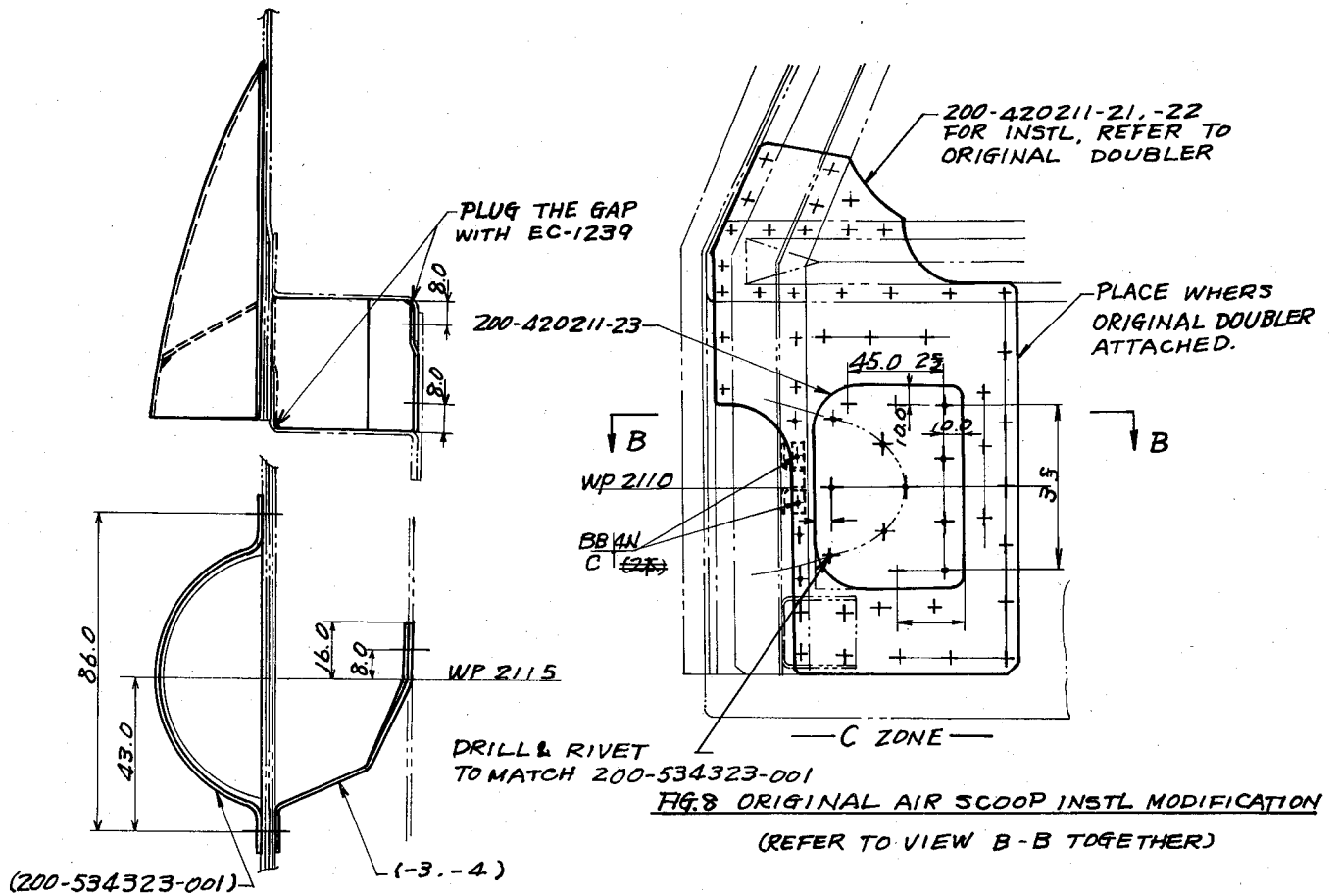
FIG. 2 AIR SCOOP INSTL (VIEW FROM CABIN INSIDE)
(REFER TO VIEW A-A TOGETHER)

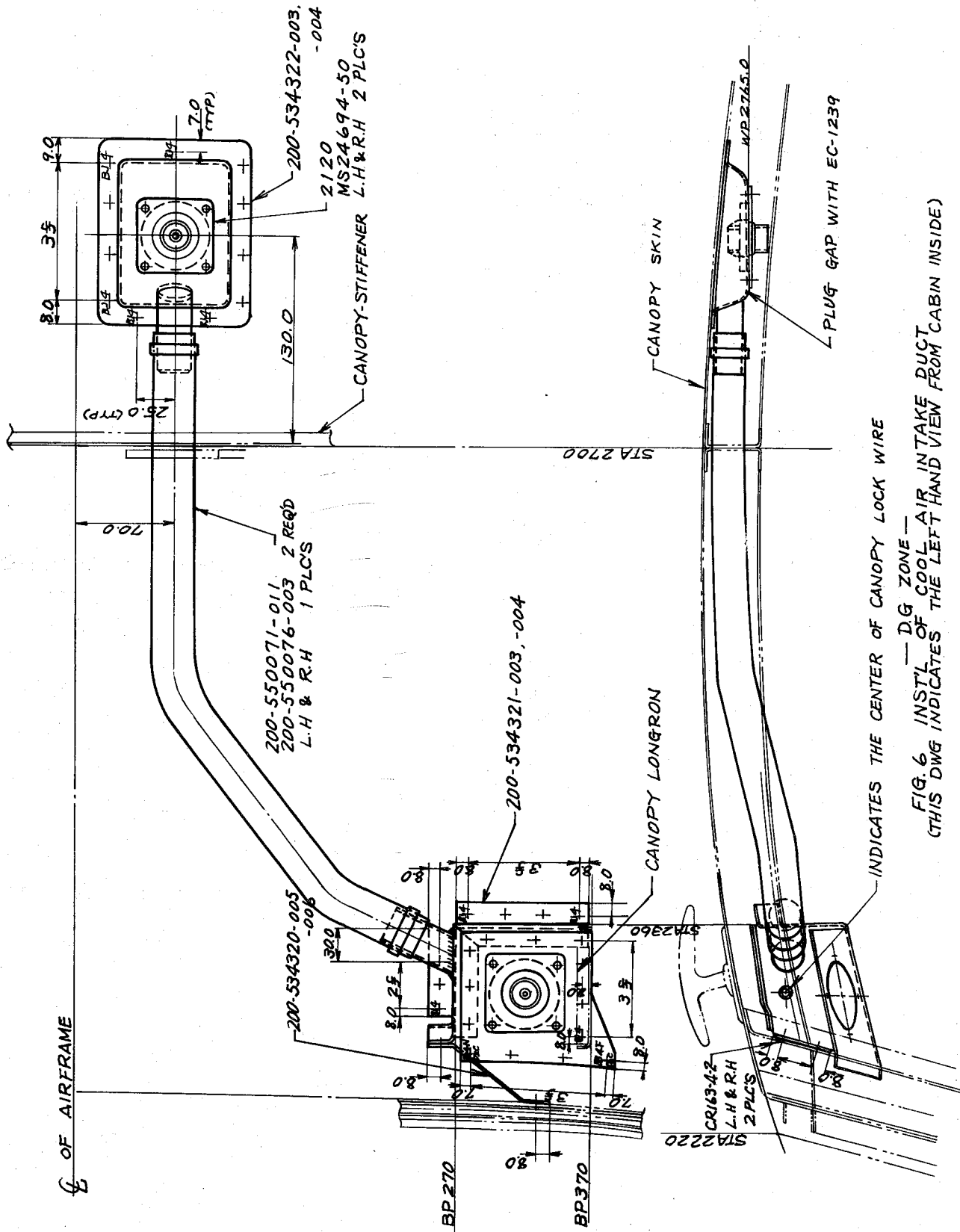
FIG. 3 OUTER SKIN MODIFICATION
IN AIR SCOOP INSTL



REMOVE 200-420005-31-32
REMOVE 15 RIVETS







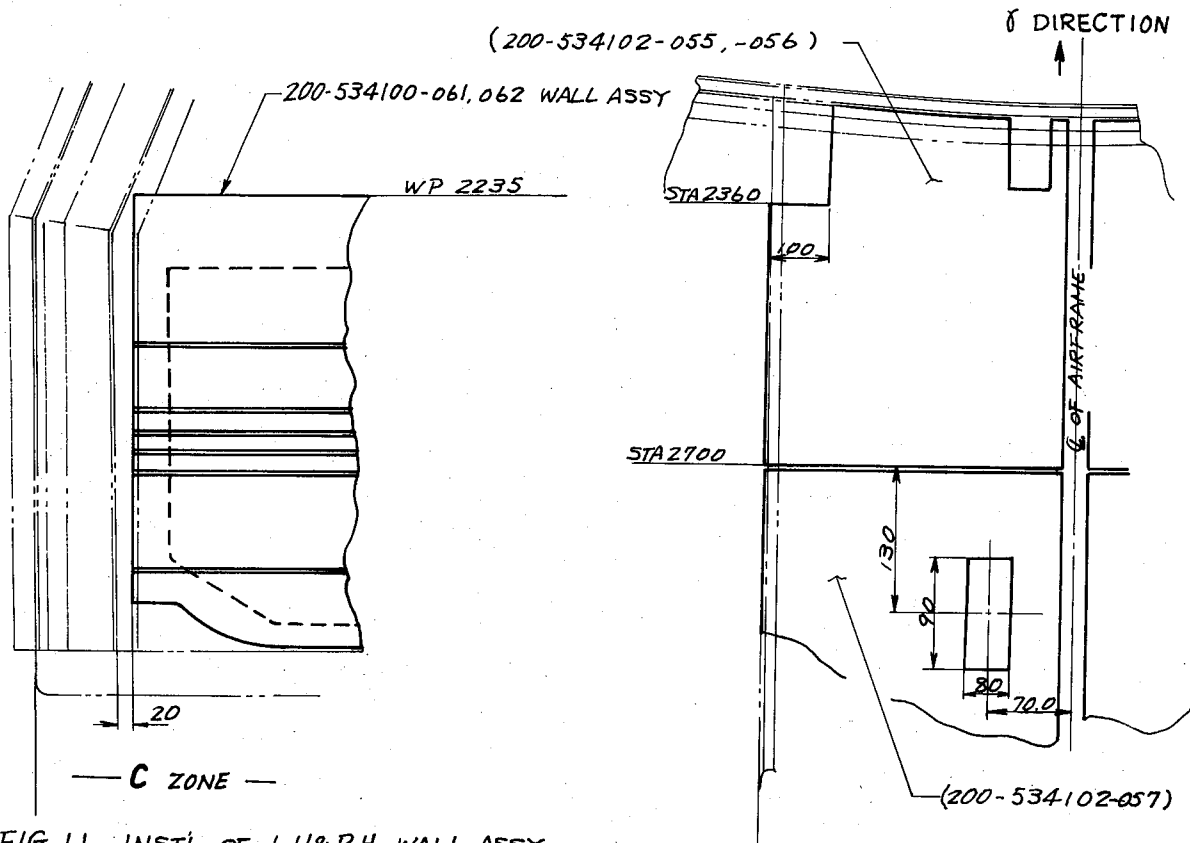


FIG. 11 INSTL OF L.H. & R.H. WALL ASSY

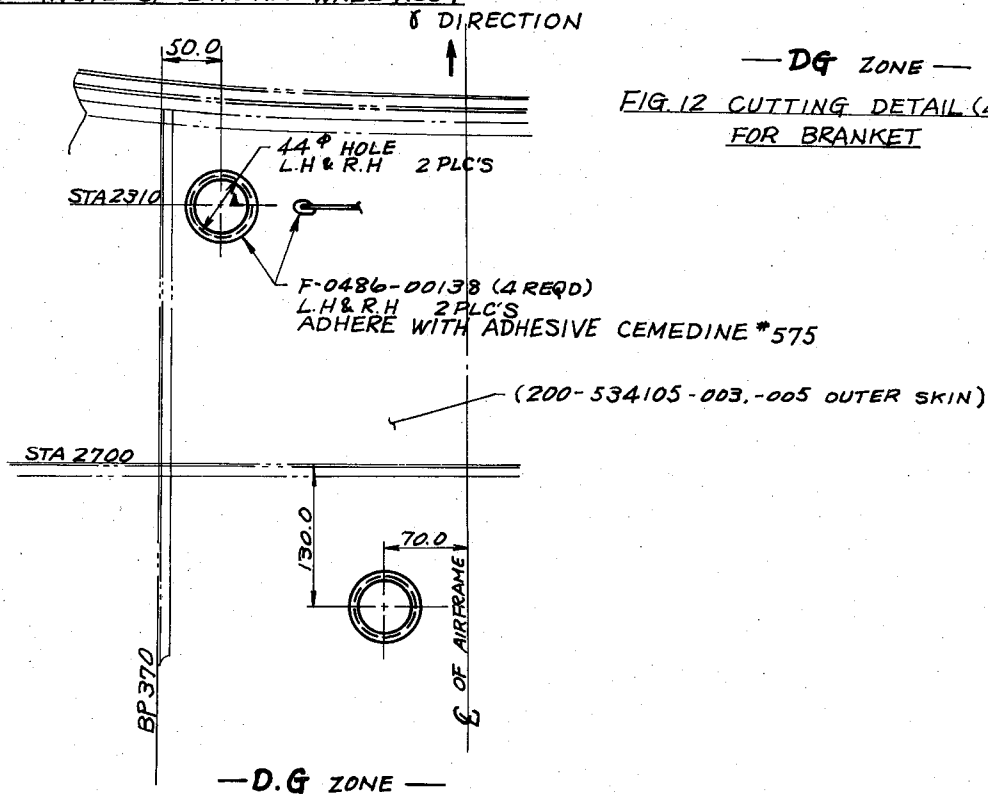


FIG. 12 CUTTING DETAIL (4 PLC'S) FOR BRACKET

FIG. 13 HOLE FOR CANOPY COVER DOOR AND INST'L OF SEAL RUBBER