



SERVICE BULLETIN

FUJI HEAVY INDUSTRIES LTD.

HEAD OFFICE

: SUBARU BLDG,

SHINJUKU, TOKYO, JAPAN

NO : FAS-052

DATE : February 15, 1971

1. SUBJECT : Improvement in Landing and Taxi Lights Installation.
2. AIRCRAFT AFFECTED : FA-200 Series serial Nos. 1 thru 101.
3. PRIORITY : Desirable.
4. REASON : In order to improve security and also to prevent possible crack of the subject lights, plates will be patched for channels.
5. DESCRIPTION : Plates to be patched and channels reworked.
6. ACCOMPLISHMENT : Optional.
7. APPROVAL : Not applicable.
8. PARTS REQUIRED : The following parts are required to perform the modification:

PART NO.	PART NAME	QTY
200-361124-001	PLATE	2
AN960-10	WASHER	8
AN520-10R20	SCREW	8
AN520-10R16	SCREW	8

9. SPECIAL TOOL : None required.

FAS - 052

PAGE 1 OF 3

10. WEIGHT AND BALANCE : Negligible.
11. REFERENCE : None.
12. MANHOUR REQUIRED : 2 manhours required.
13. DETAILED INSTRUCTIONS:
 - (1) Remove windshield for landing and taxi lights installed at the left wing tip.
 - (2) Back off screws and remove four channels attaching the two lights. Then pull forward the lights.
 - (3) Separate harness from the lights.
 - (4) Install two plates, 200-361124-001, in positions as illustrated in figure 1.
 - (5) Adjust attaching angle of the above two plates in accordance with Service Manual, para. 10-9-1, "Angle Adjustment for #102 and subsequent."
 - (6) Rework four attaching channel, 200-361123-003, to dimensions shown in figure 3.
 - (7) Connect harness to the landing light and to the taxi light. Install the reworked channels to the plates with eight screws, AN520-10R16, and eight washers, AN960-10. See figure 1.
 - (8) Reinstall the removed windshield in position.

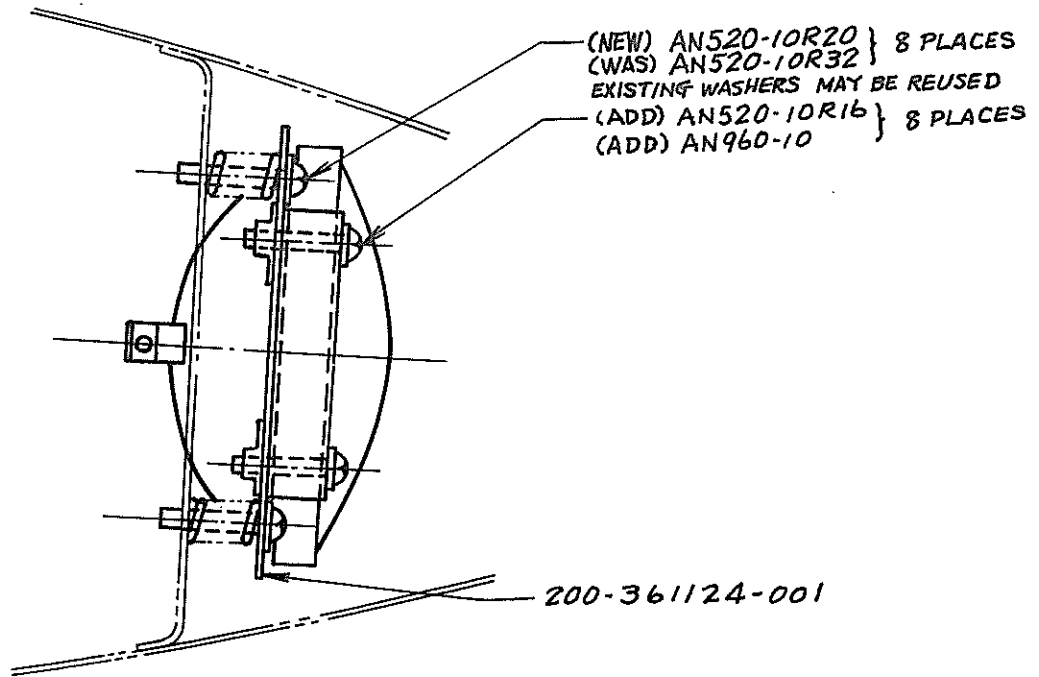


FIG. 1

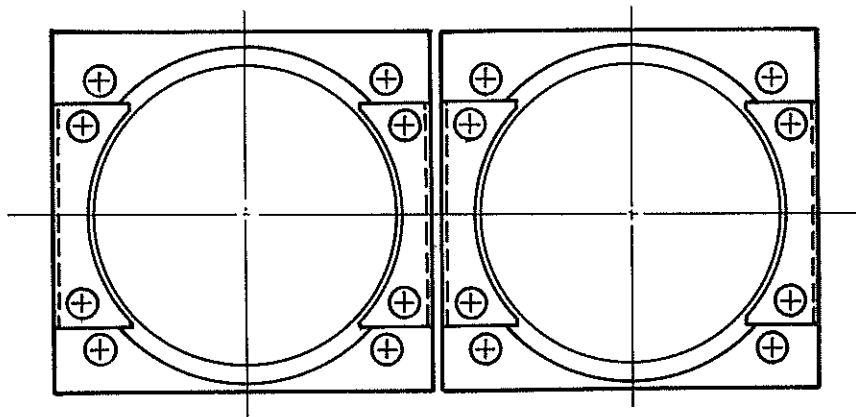


FIG. 2

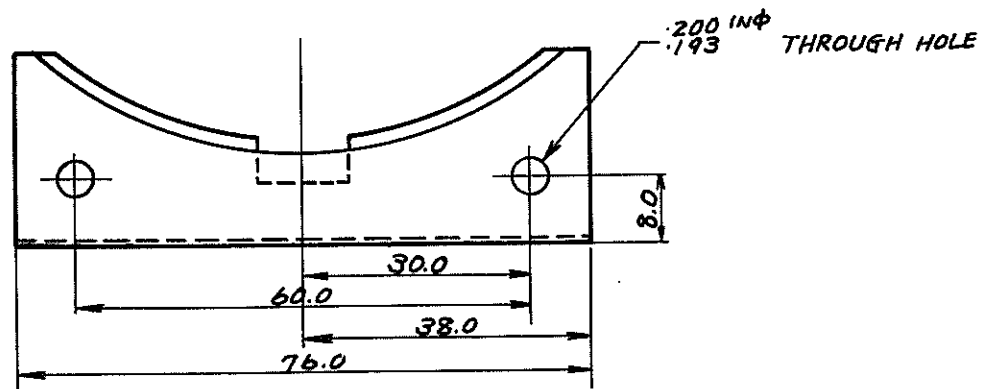


FIG. 3