

SERVICE BULLETIN

FUJI HEAVY INDUSTRIES LTD.

HEAD OFFICE

: SUBARU BLDG,

SHINJUKU, TOKYO, JAPAN

NO : FAS-056

DATE : June 14, 1971

1. SUBJECT : Installation of Drain Tube for Auxiliary Fuel Pump.
2. AIRCRAFT AFFECTED: All FA-200-180 Series Aircraft.
3. PRIORITY : Essential.
4. REASON : To drain leaked fuel out of ship; fuel might leak through the outlet drain hole of the subject fuel pump when operating in cold weather (-5°C or lower).
5. DESCRIPTION : Tube to be installed on the auxiliary fuel pump at the drain hole.
6. ACCOMPLISHMENT : Immediately upon receipt of this bulletin.
7. APPROVAL : JCAB Approval (NO-TOKYO-025), May 19, 1971.
8. PARTS REQUIRED : The following parts are required to perform the modification:

PART NO.	PART NAME	QTY
203-929102-005	TUBE ASSY	1
203-929107-003	ELBOW	1
203-929108-003	BRACKET	1
MS35207-263	SCREW	4
AN960D10	WASHER	4

FAS - 056

PAGE 1 OF 4

8. PARTS REQUIRED : (cont.)

01. 000000

PART NO.	PART NAME	QTY
AN935-10	WASHER	4
MS21919DG4	CLAMP	1
MS21919DG6	CLAMP	1
MS35206-245	SCREW	1
NAS679A3W	NUT	1

9. SPECIAL TOOL : None required.

10. WEIGHT AND BALANCE: Negligible.

11. REFERENCE : Not applicable.

12. MANHOUR REQUIRED : 2.0 manhours required.

13. DETAILED INSTRUCTIONS:

1. Remove lower cowling in accordance with Service Manual, para. 4-3-1.
2. Remove cover for auxiliary fuel pump.
3. Set fuel cock (fuel selector valve) "OFF".
4. Remove inlet tube and outlet hose from auxiliary fuel pump.
5. Remove auxiliary fuel pump in accordance with Service Manual, para. 6-10-1.
6. Remove cover, P/N 203-929103-005, as shown in figure 4.
7. Replace existing bracket, P/N 203-929105-001, with new bracket, P/N 203-929108-003.
8. Install auxiliary fuel pump on the new bracket with four screws, P/N MS35207-263, four washers, P/N AN960D10, and four washers, P/N AN935-10.
9. Install on auxiliary fuel pump the inlet tube and outlet hose that were removed in the above step 4.

10. Remove drain plug from auxiliary fuel pump. Install elbow, P/N 203-929107-003, and tube assy, P/N 203-929102-5, as illustrated in figure 1.
11. Rework lower cowling as shown in figure 2.
12. Install auxiliary fuel pump cover.
13. Check fuel system for leaking; then install lower cowling.

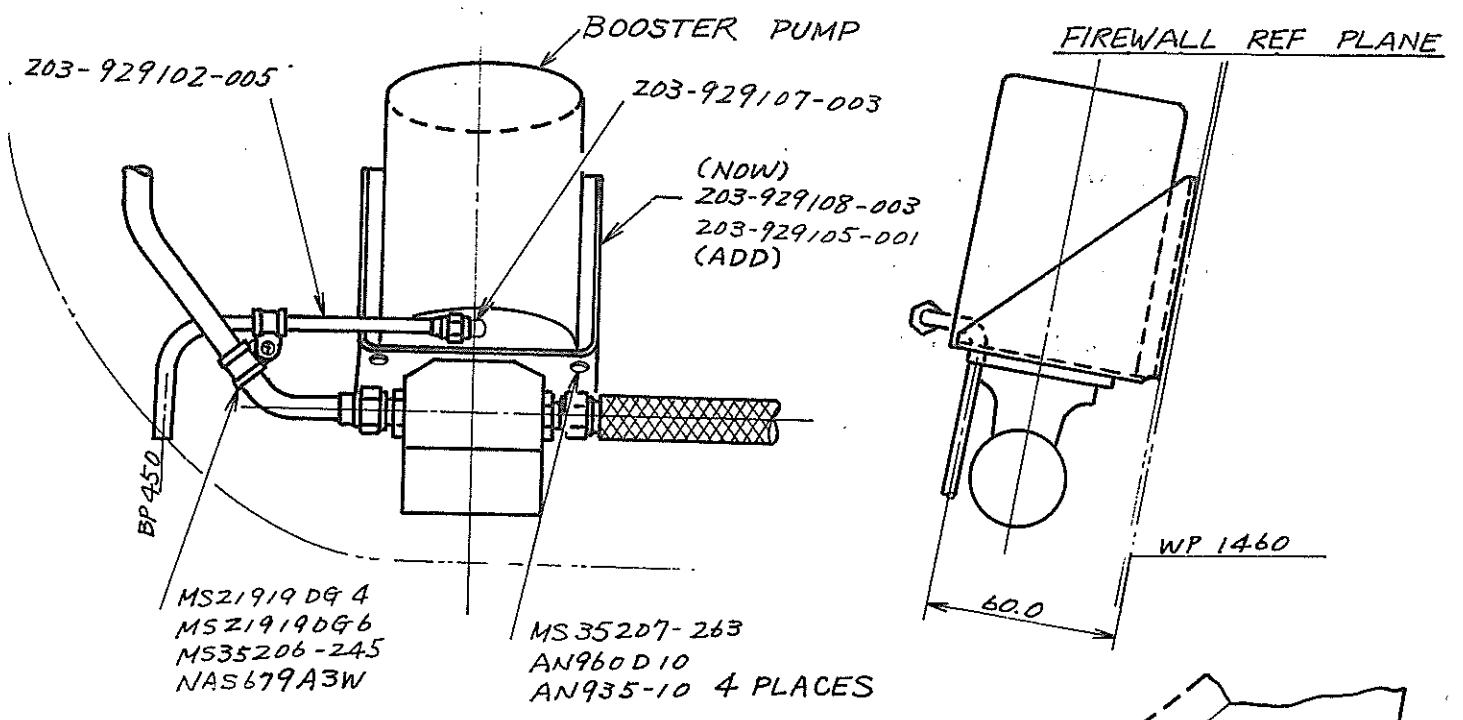


FIG. 1. DRAIN PIPING INSTALLATION

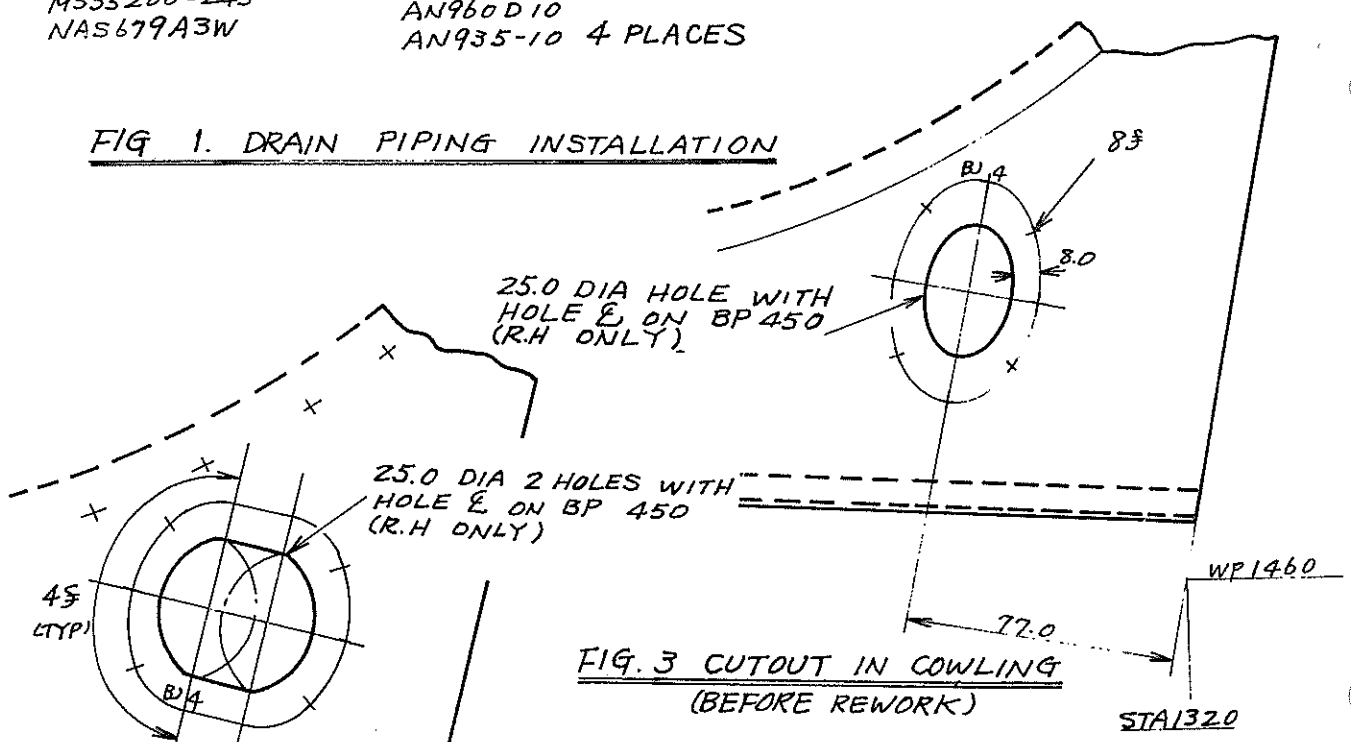


FIG. 2 CUTOUT IN COWLING (AFTER REWORK)

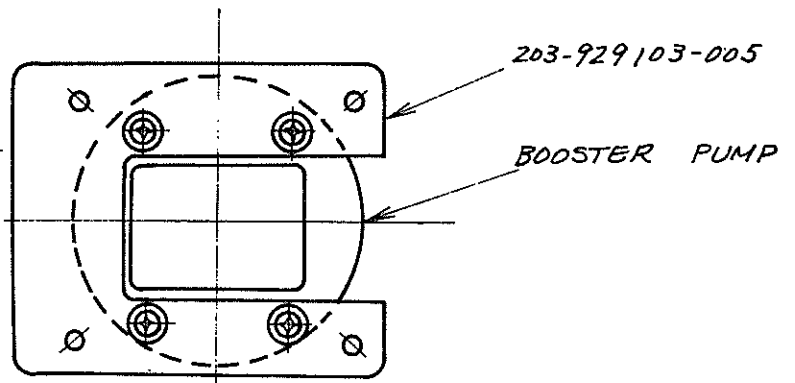


FIG. 4 BOOSTER PUMP LOWER COVER