

TECHNICAL BULLETIN



FUJI HEAVY INDUSTRIES LTD.

JCAB APPROVED

HEAD OFFICE ; SUBARU BLDG.
SHINJUKU, TOKYO, JAPAN

NO. 200-008

DATE October 1, 1977

(SUPERSEDES NO.)

REV.

DATE

(SUPERSEDES NO.)

REASON

SUBJECT : Rework of Canopy Rail Lock Hole

AIRCRAFT AFFECTED : All FA-200 series aircraft

PRIORITY : Optional

REASON : To provide detailed repair procedures for worn or elongated lock hole in the canopy rail.

DESCRIPTION : (1) Repair of Canopy Rail
(2) Replacement of Canopy Lock Pin

ACCOMPLISHMENT : Operator's option

APPROVAL : JCAB Approval not applicable

PARTS REQUIRED : See the attached list on page 2 of 3

SPECIAL TOOL : None required

WEIGHT AND BALANCE : No change

REFERENCES : None

DETAILED DESCRIPTION :

1. Repair of Canopy Rail

- (1) Remove canopy in accordance with FA-200 service manual, para 7-4-1
- (2) Enlarge existing ten (10) lock holes (5 places each side) to .254/.250 inch diameter.
- (3) The above .254/.250 inch diameter holes may be further enlarged to a maximum diameter of .316/.312 inch, if required to obtain a proper diameter hole.

2. Replacement of Canopy Lock Pin

- (1) Remove fwd canopy covers P/N 200-534105-007 and -008
- (2) Remove lock pin as follows : (Reference Figure 2)
 - a. Compress spring and remove cotter pin.

AIRCRAFT DIVISION

680 NISHIHARACHO UTSUNOMIYA TOCHIGI JAPAN 320
TEL 0286 (58) 1111 TELEX 720 3522 176

TECHNICAL BULLETIN 200-008

PAGE 1 OF 3

- b. Remove safety wire from turnbuckle, and remove lock pin from turnbuckle. (Pull out lock pin downward)
 - c. If lock pin hole is enlarged to .254/.250 inch diameter, install new lock pin P/N 200-420112-005 in place with spring and washer. If lock pin hole is enlarged to .316/.312, enlarge hole in rail to the same diameter, and install lock pin P/N 200-420112-007 with spring and washer.
 - d. Connect lock pin and cable assy with turnbuckle.
 - e. Install cotter pin.
- (3) Install canopy in accordance with FA-200 service manual, para 7-4-1.
 - (4) Adjust turnbuckle so that canopy lock pins may be properly engaged into holes in canopy rails.
 - (5) After adjustment, secure turnbuckles with safety wire.
 - (6) Install fwd canopy covers P/N 200-534105-007 and -008.
3. Parts Required :

Parts required to comply with this bulletin are listed below :

<u>P/N</u>	<u>NOMENCLATURE</u>	<u>QTY</u>	
200-420112-005	Pin	2	For .254/.250 Hole
200-420112-007	Pin	2	For .316/.312 Hole
MS24665-132	Cotter Pin	2	
MS20995C	Safety Wire	AR	

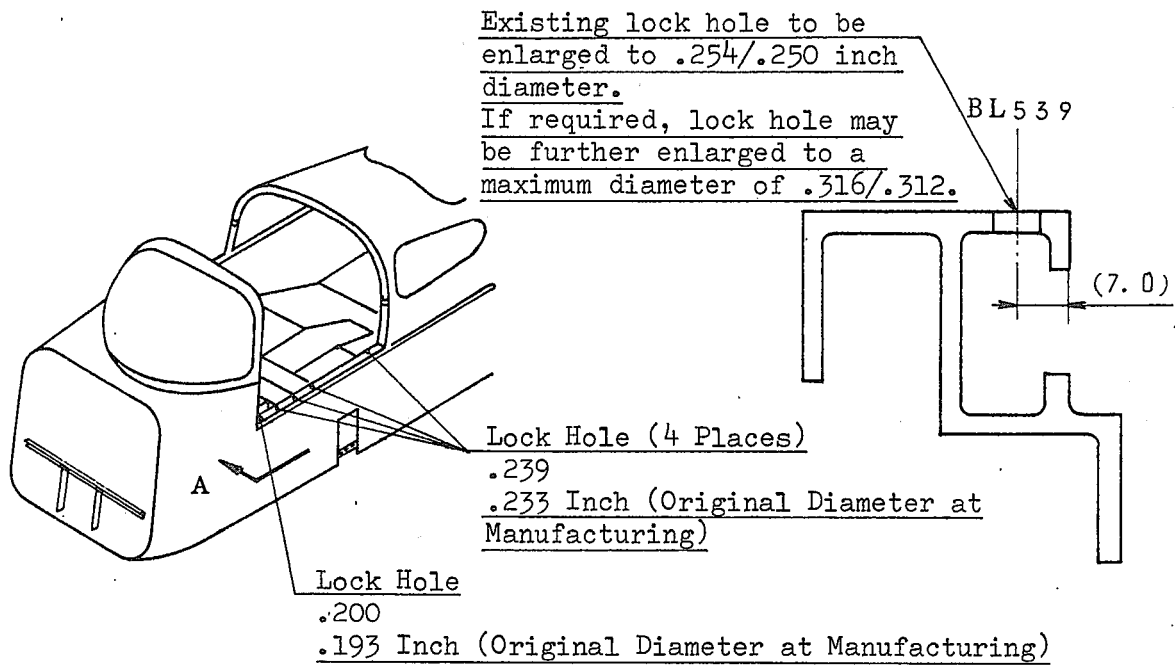


Figure 1

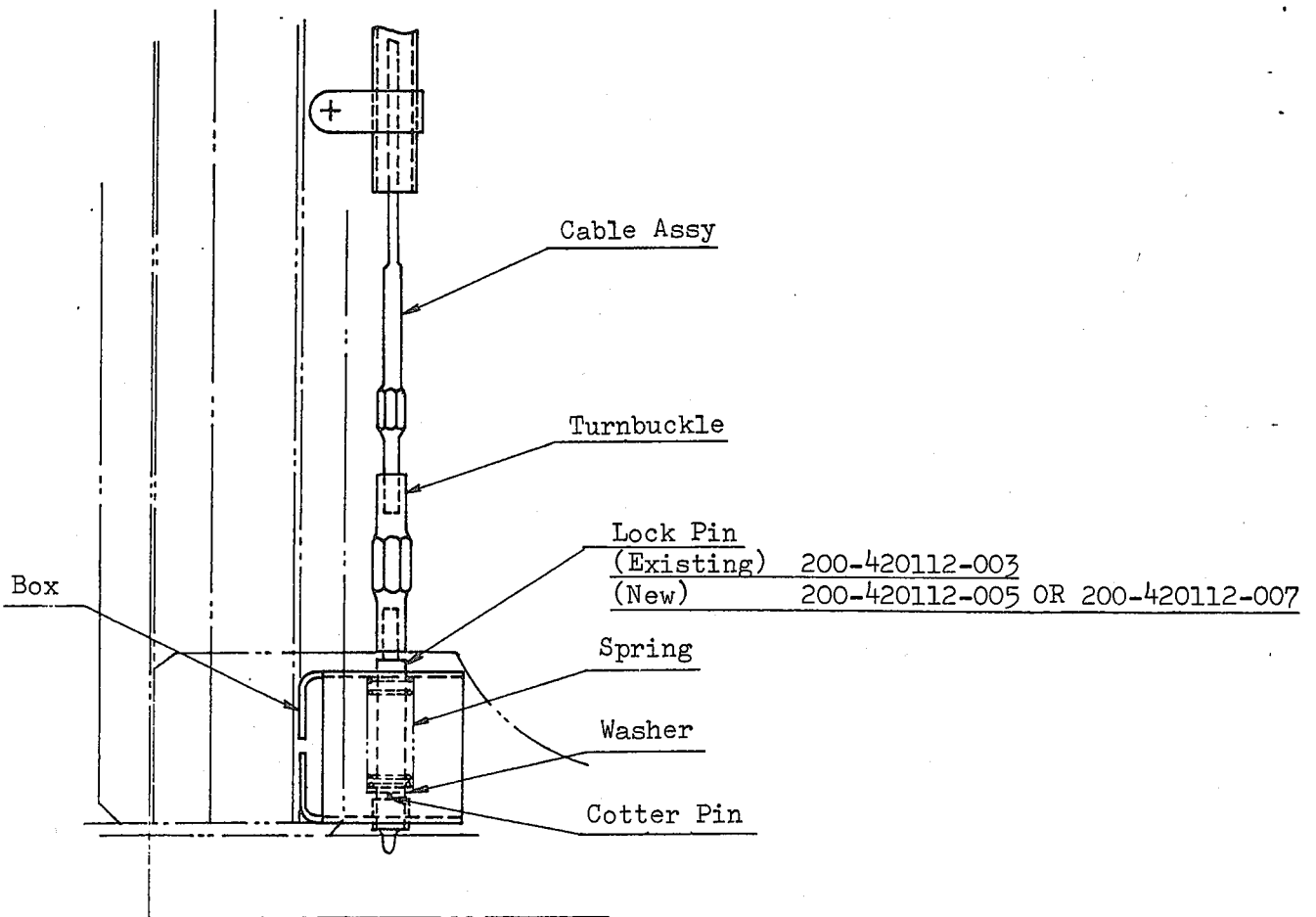


Figure 2 View A